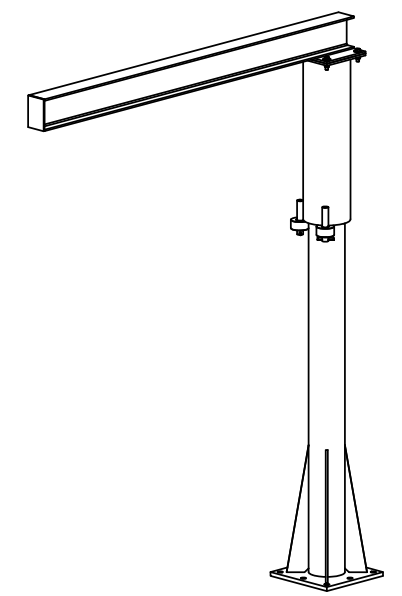
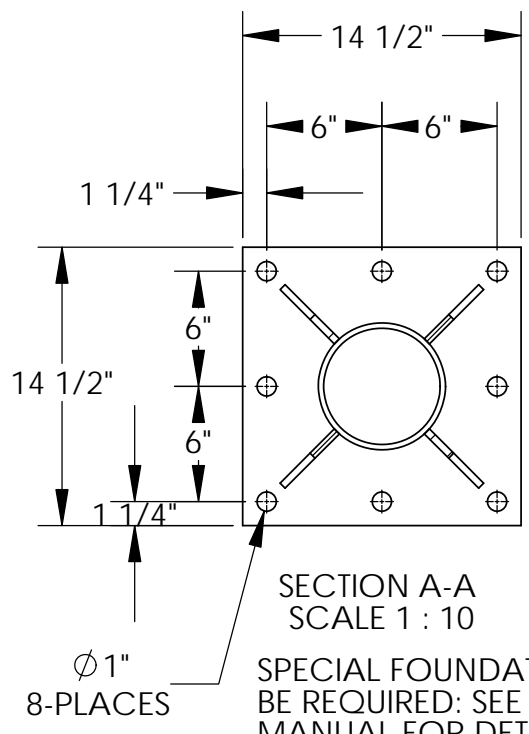
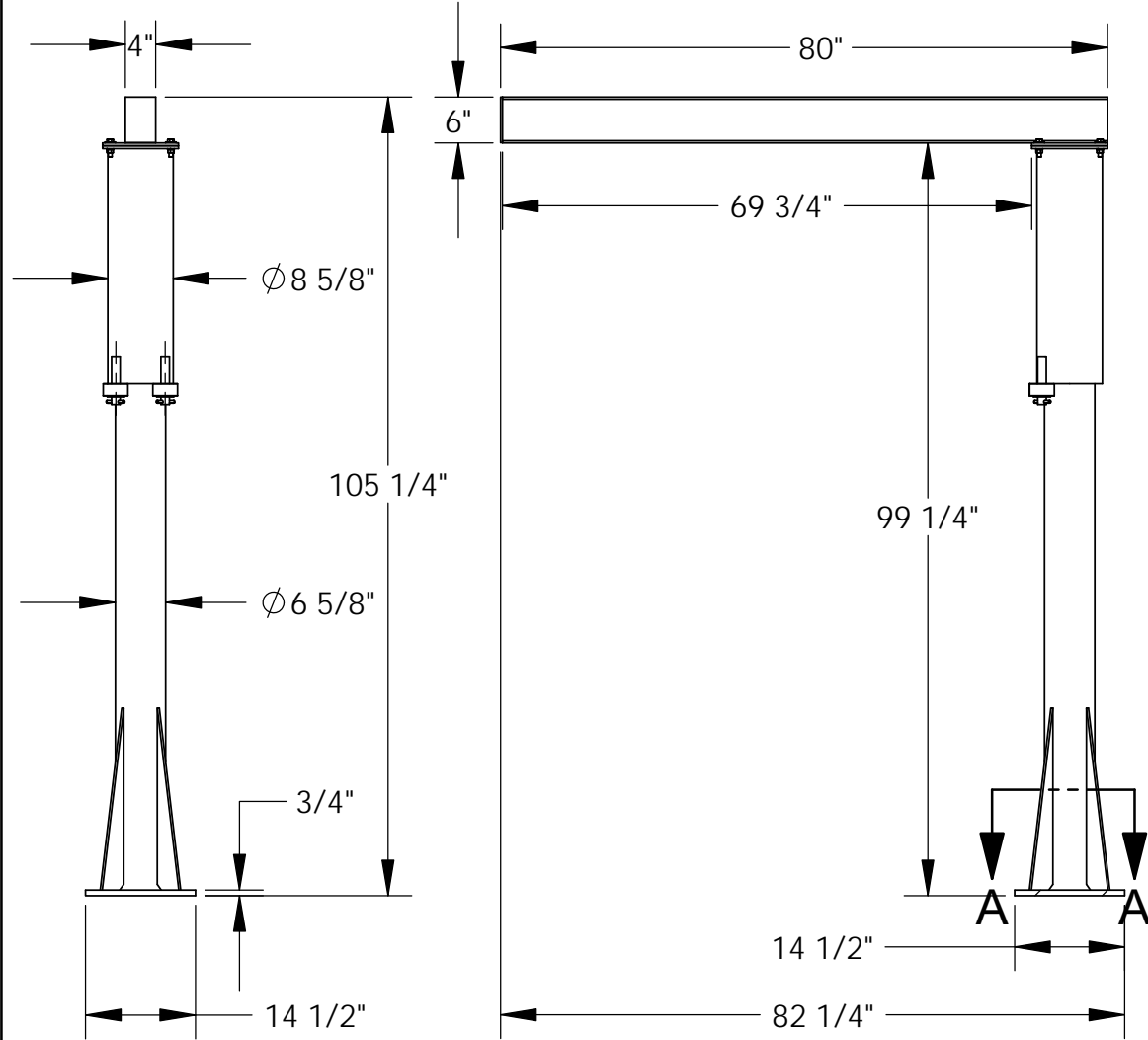


FLOOR MOUNTED JIB CRANE - JIB-FM-6

APPROX WEIGHT: 411.90 lbs.
DOES NOT INCLUDE WEIGHT OF POWER OR PACKAGING!!!

*** ANY ADDITIONS, DELETIONS, OR OMISSIONS MUST BE CORRECTED ON THIS DRAWING AS THIS DRAWING WILL BE CONSIDERED ALL INCLUSIVE ***

ALL GRAPHICS PROVIDED ARE FOR REFERENCE ONLY. IF CERTAIN DIMENSIONS ARE CRITICAL PLEASE VERIFY THOSE DIMENSIONS WITH YOUR SALESPERSON



DIMENSION TOLERANCE ± 1/4"

APPROVAL

I, THE UNDERSIGNED, AGREE THAT THE PRODUCT AS REPRESENTED SATISFIES DESIGN AND DIMENSION REQUIREMENTS. I ALSO ACKNOWLEDGE MY DUTY TO CONFIRM PRODUCT AND INSTALLATION COMPLIANCE WITH ALL APPLICABLE FEDERAL, STATE AND LOCAL REGULATIONS AND STANDARDS.

ANY MODIFIED UNITS ARE NON-RETURNABLE

[] As drawn [] As marked

Signed: _____ Date: _____

Printed Name: _____

LEAD TIME WILL START UPON RECEIPT OF SIGNED APPROVAL DRAWING

STANDARD FEATURES

- MODEL NUMBER IS JIB-FM-6
- CAPACITY IS 600 LBS.
- OVERALL WIDTH IS 14 1/2"
- OVERALL LENGTH IS 82 1/4"
- OVERALL I-BEAM LENGTH IS 80"
- USABLE I-BEAM LENGTH IS 69 3/4"
- OVERALL HEIGHT IS 105 1/4"
- UNDER I-BEAM CLEARANCE IS 99 1/4"
- I-BEAM SIZE: 6" HEIGHT X 4" FLANGE WIDTH
- 360° FULL ROTATION

SPECIAL FEATURES

NONE

FOR INTERNAL USE ONLY PROJECT SIGN OFF	
SALES	
ENG.	
FAB.	
POWER	

DISTRIBUTOR'S NAME:		P.O.#
HOF EQUIPMENT COMPANY		X
PH: 888-990-1150		W.O.#
DRAWN BY: ND		X
DATE: 6/29/2011		SALES: X
REFERENCE: X	SCALE: 1:25	FILE NAME:
QUOTED LEAD TIME: X	QUOTE # X	28-007-031